

CABLE 227 RF: MCX RIGHT ANGLE PLUG + TNC STRAIGHT BULKHEAD JACK WITH O-RING RATED TO IP67/68 + MULTIPLE CABLE SIZES

SPECIFICATIONS:

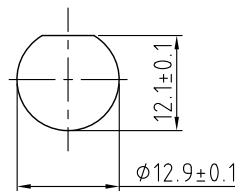
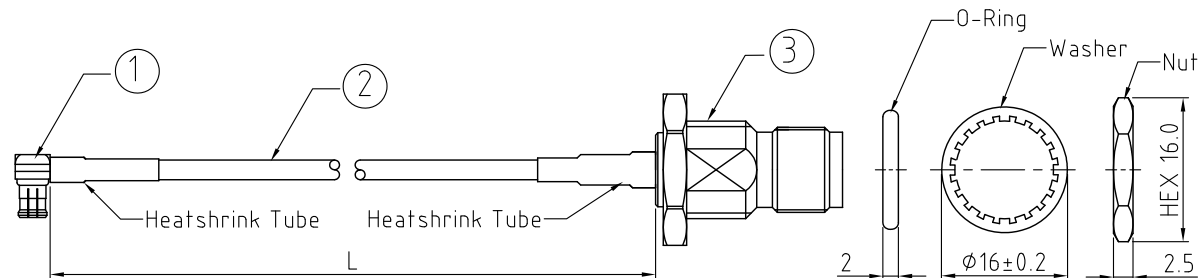
1. MCX RIGHT ANGLE PLUG, P/N: RFCT-MCX002-M74.
2. COAXIAL CABLE, SEE P/N FOR DETAIL.
3. TNC STRAIGHT BULKHEAD JACK WITH O-RING RATED TO IP67/68, P/N: RFCT-TNC002-F74.

ENVIRONMENTAL:

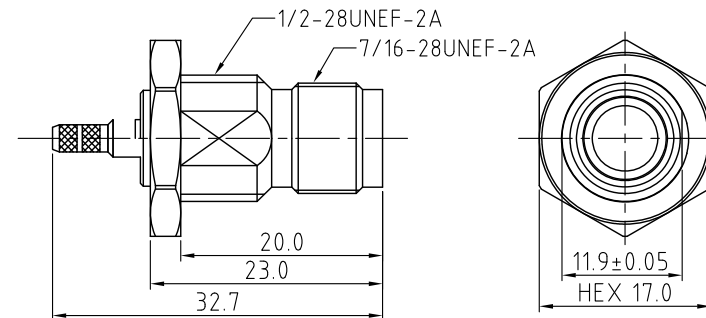
- A. BULKHEAD MOUNTED CONNECTOR (RFCT-TNC002-F74) TESTED TO THE FOLLOWING SPECIFICATION:
- i. IP6X - DUST TIGHT - NO PARTICLE INGRESS.
 - ii. IPX7 WATERPROOF FOR 30 MINUTES UP TO 1 METER UNDERWATER.
 - iii. IPX8 WATERPROOF FOR 48 HOURS AT 1 METER UNDERWATER.
 - iv. IPX8 WATERPROOF FOR 12 HOURS AT 5 METERS UNDERWATER.
 - v. PRESSURE TEST - 1 BAR FOR 10 SECONDS.

NOTES:

1. THE ORIENTATION OF CONNECTORS ON DRAWING IS FOR REFERENCE ONLY, IF THE ORDER IS LEFT BLANK THE CONNECTOR WILL NOT HAVE FIXED ORIENTATION.
2. FIXED ORIENTATION IS SUGGESTED FOR CABLE LENGTH 25MM TO 100MM. PLEASE SPECIFY THE FIXED ORIENTATIONS FROM THE ORDER CODE (F1, F2, ETC)
3. CONTACT GRADCONN IF THE ORIENTATION YOU REQUIRE IS NOT SHOWN.
4. WORKING FREQUENCY RANGE: DC-3GHz.



RECOMMENDED TNC MOUNTING HOLE



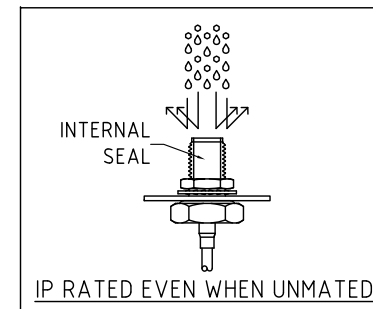
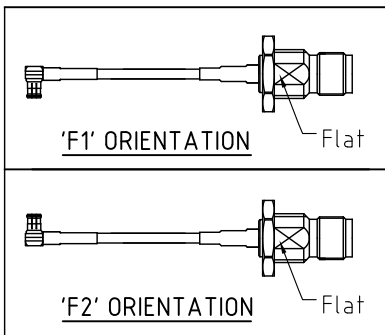
TNC DETAIL DRAWING

HOW TO ORDER
CABLE 227 RF - X X X X - X X - X - X CABLE SIZE OPTIONS:

"L" LENGTH IN MM
eg: 100MM = 0100
(MIN. = 0050, MAX. = 2000,
STANDARD = 0100, 0150, 0200)
Tolerance: 50-200mm: ±5mm.
201-500mm: ±7mm.
>500mm: ±10mm.

O-RING, WASHER AND NUT OPTIONS:
BLANK = SEPARATELY PACKED (STANDARD)
A = ASSEMBLED WITH CONNECTOR

ORIENTATION OPTIONS:
BLANK = DOES NOT HAVE A FIXED ORIENTATION
F1 = MCX CONNECTION DOWN (L=50-200MM)
F2 = MCX CONNECTION UP (L=50-200MM)
(SEE NOTES 1, 2, 3 AND DIAGRAMS FOR MORE INFORMATION)



REV. DATE & DRN
10. 16/02/16 - N1W RELEASE
11. 22/02/17 - N1W ADD ISSUABLE CABLE OPTION
12. 03/03/24 - C1 ADD IP RATING VIEW

Scale: NTS	THIRD ANGLE	Unstated .X .XX .XXX ANGLES	Tolerances: N/A N/A N/A N/A
Drawn: CC			
App'd: XXX	Title CABLE ASSEMBLY		
Date: 3 MAR. '24	Revision: 1.2	Unit: mm	

NAUTILUS
IP Rated RF Products

GRADCONN
www.gradconn.com

Type: Cable 227 RF
CABLE 227 RF
Drawing Number:
Sheet 1 of 1
Drawing © E and O E